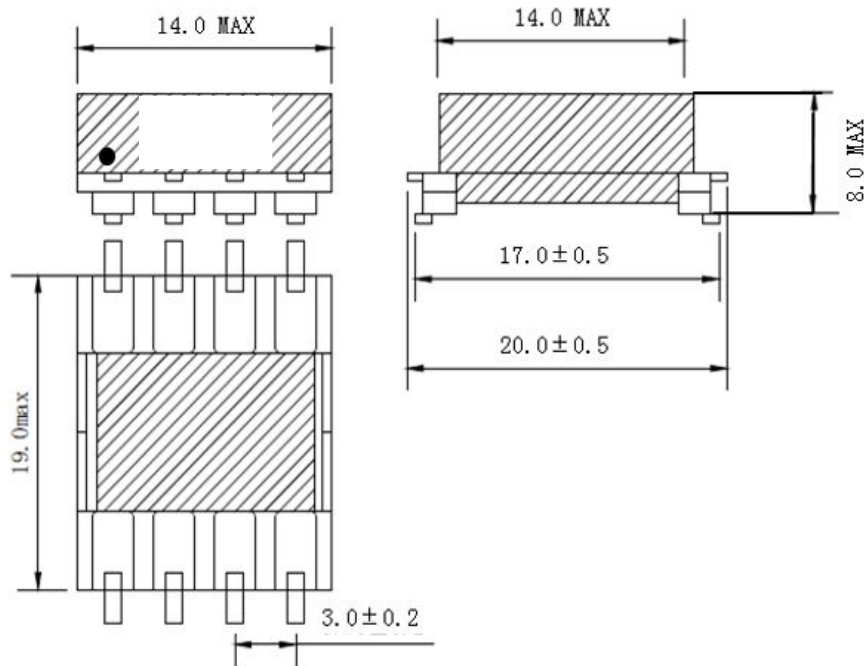


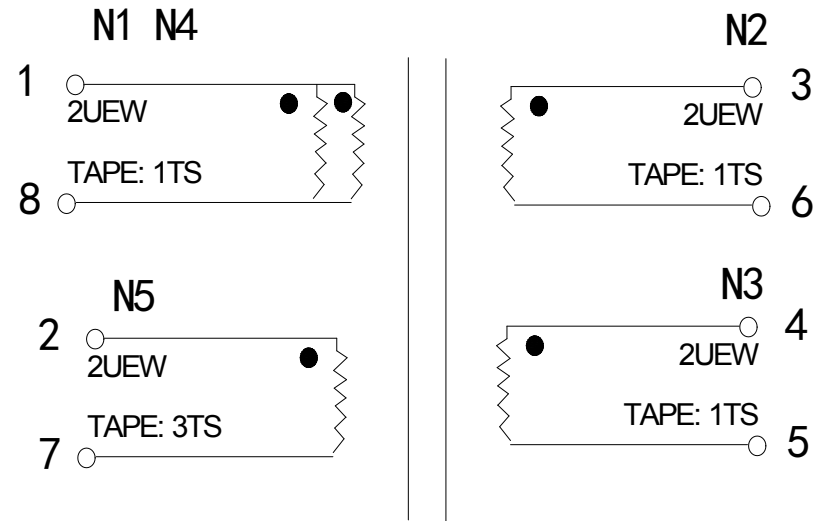
CUSTOMER TERMINAL	ROHS	Lead(Pb)-free
	Yes	Yes



1. Mechanical Dimensions: (mm)



2. Schematic Diagram



3. Material List

Core: FW40-EFD12
 Bobbin: EFD12-PX 4+4PIN
 Wire: 2UEW-F
 Tape: CT280-25u

4. Electrical Specification

Inductance: L (1-8): 65uH±10% , (1.0KHZ 1.0V)
 Dielectric Strength: Between P-S No Break-down Applied AC 1500V/1mA/60S
 Dielectric Strength: Between coil-core No Break-down Applied 500V/1mA/60S

REV.	DATE	 Convention placement	DRW.	DRAWING TITLE	Part No:	
0	03/15		CHK.		TRANSFORMER	FWPTEFD12SMD650K
			APP.		Customer P/N:	SPECIFICATION SHEET 1 OF 1
RoHS		www.ferriwo.com				